



BoxBack Medium Plus

- 2703

Areas of application

- Signage and illuminated advertising
- Back-lighting of light box and channel letters, best for 80mm to 250mm depth (3 to 10inch)

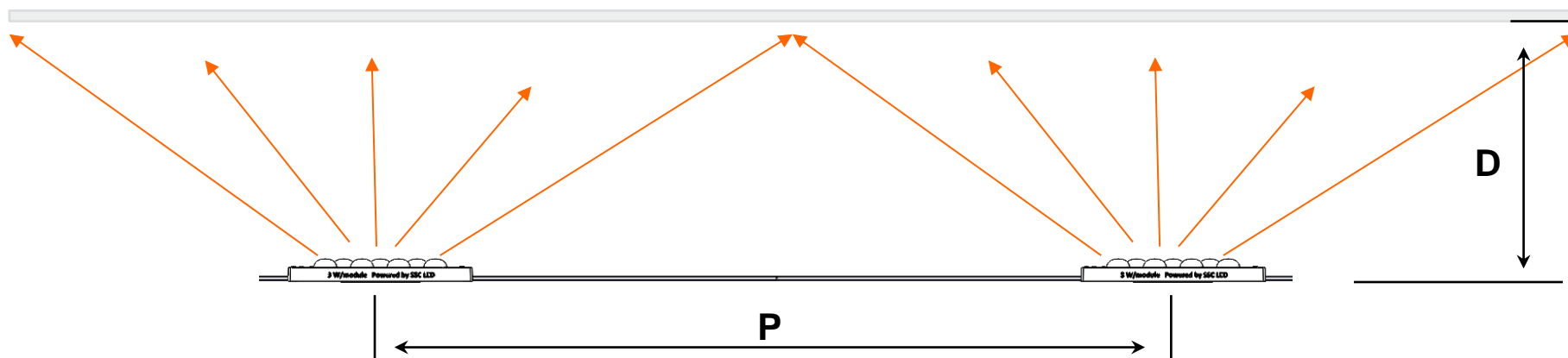
Product benefits

- High efficiency – 155 lm/W
- Uniform and efficient illumination at high module pitches thanks to big beam angle design – 170°
- Long lifetime (powered by Soul Semiconductor LED) - 7 years warranty
- High reliability and stability - IP68

Product features

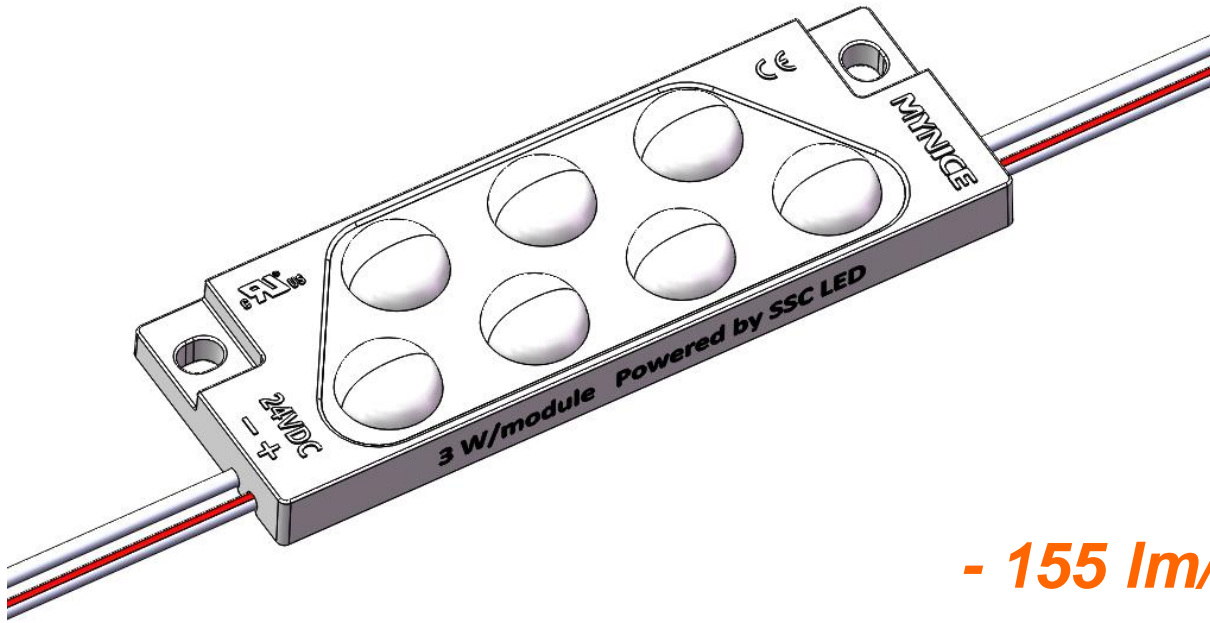
- 24VDC
- 465 lm/module
- 155 lm/W
- Beam angle 170°
- CE marked and UL listed





$$P:D = 2.8:1$$

Bigger light spot can achieve better uniformity.



- **155 lm/W**
- **40 modules/chain**



Electrical data

Product Description	Typical Voltage	Energy Consumption (W/module)	Energy Consumption (W/chain)	Energy Consumption (W/ft.)	Power Supper Loading		Additional Information (modules/chain)
2703	24VDC	3	120	2.3	40 modules/120W	52.5 ft./120W	40

Photometrical data

Product Description	Light color (designation)	Color (CCT, wavelength)	Color Rendering Index	Typical Brightness (lumen/module)	Typical Brightness (lumen/chain)	Typical Brightness (lumen/ft.)
2703	White	3000K-7000K	Ra > 80	465	18600	473

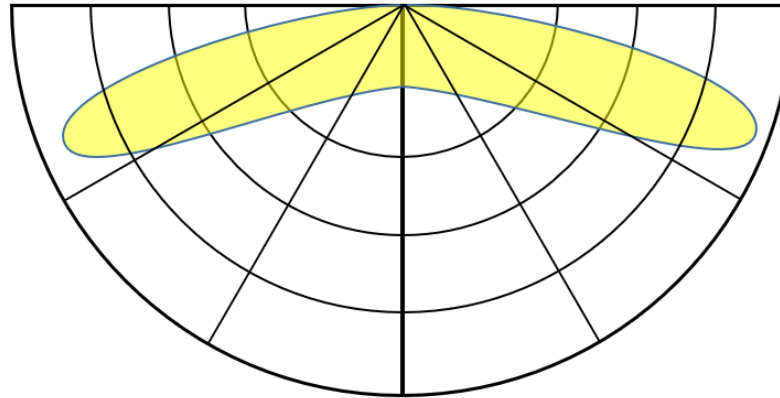
Environmental and Application Conditions

Operating Environment (t_a)	-25°C to +55°C
Storage Temperature Range (t_s)	-40°C to +85°C
Max. operating (case) temperature (t_c)	80°C
IP Rating	IP68
Lifetime (L70B50)	70,000 hours
Dimming mode	Dimmable
Cutting Resolution	Cut on wire between every module

Maximum Supply Wire Limits

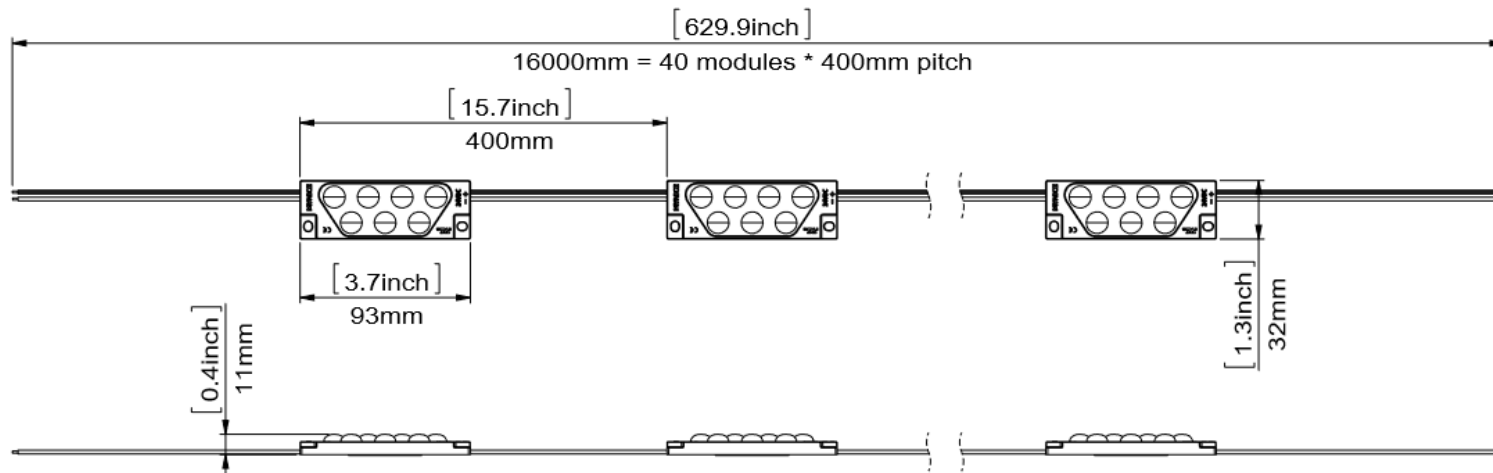
60W	20 modules	8 m (26.2 ft.)
80W	26 modules	10.7 m (35 ft.)
100W	33 modules	13.3 m (43.7 ft.)
120W	40 modules	16 m (52.5 ft.)
180W	60 modules	24 m (78.7 ft.)

Light distribution

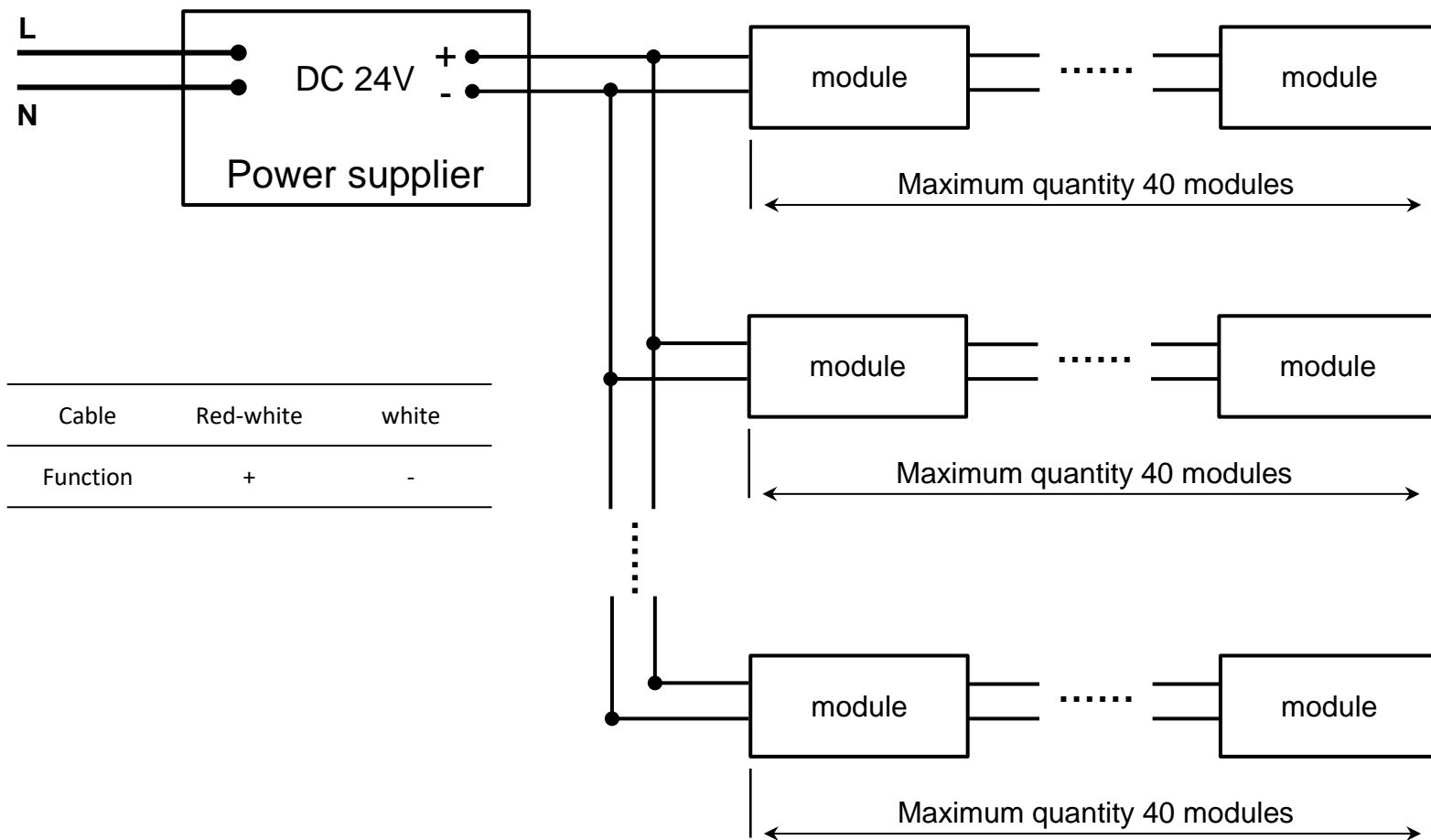


170°

Product line drawing



Wiring method



* The secondary cable recommend AGW18, < 5 meter (16.4 ft.)

Package

Product description	Package unit (modules/carton box)	Package unit (chains/carton box)	Carton box Dimensions (length x width x height)	Volume	Gross weight
2703					

Additional product information

- Installation of LED modules (with power supplies) needs to be made under consideration of all valid regulations and norms.
- Installation by qualified electrician only.
- Parallel connection is mandatory for safe electrical operation. Serial connection of LED modules is discouraged. Unbalanced voltage drop in serial connection can cause hazardous overload
- Electrical contact is achieved with the contact cables or the terminals of the module. Please refer to the technical data for maximum number of LED modules that can be operated on one control gear.
- To avoid mechanical damage, the LED modules have to be attached securely to the intended mounting surface. It is recommended to avoid heavy vibration.
- LED modules are dimmable by means of PWM (pulse width modulation).